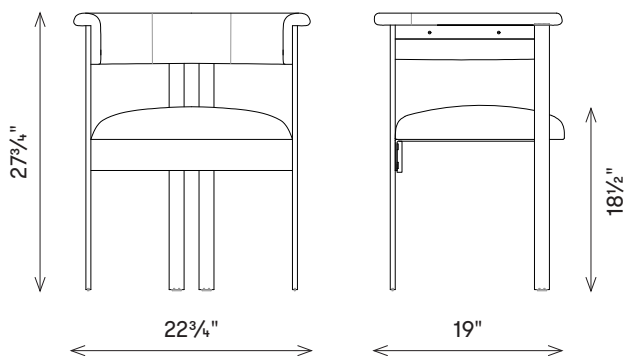




# ELLIOTT CHAIR

FCD14001



## MATERIALS SHOWN

Burnished Brass  
 In Dame Straw (Dot) • W9331-29  
 In Icon Ivory/Carmel (Stripe) • GWL3402-401

## ALSO AVAILABLE IN

Oil-Rubbed Bronze  
 See Materials PDF for leather colors

## DIMENSIONS

Width: 22<sup>3</sup>/<sub>4</sub>"  
 Height: 27<sup>3</sup>/<sub>4</sub>"  
 Depth: 19"  
 Seat Height: 18<sup>1</sup>/<sub>2</sub>"  
 Weight: 50lbs/22.68kgs

## FINISHES

