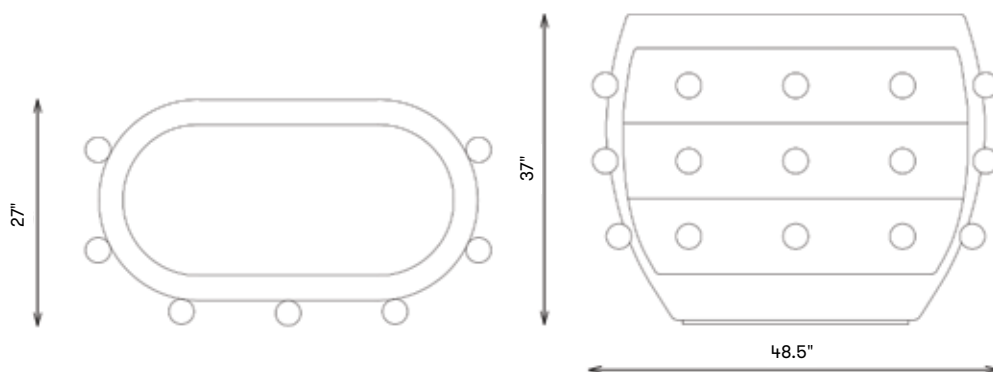




# POP COMMODE

FCS15006



## MATERIALS SHOWN

Ivory Hand-troweled Plaster,  
Blackened Steel with Burnished Brass

## DIMENSIONS

Width: 48½"  
Height: 27"  
Depth: 37"

## FINISHES

