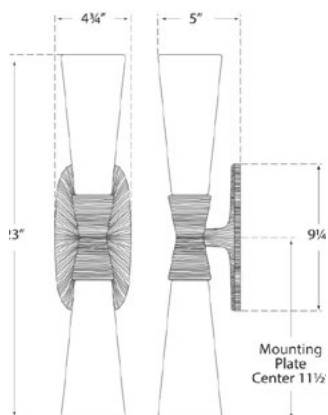




# UTOPIA LARGE DOUBLE BATH SCONCE

KW2048



## MATERIALS SHOWN

GILD WITH WHITE GLASS

## AVAILABLE IN

GILD  
POLISHED NICKEL  
AGED IRON



## DIMENSIONS

WIDTH: 23"  
HEIGHT: 4.75"  
EXTENSION: 5"  
BACKPLATE: 4.75" X 9.25"

## SOCKET

2 - KEYLESS

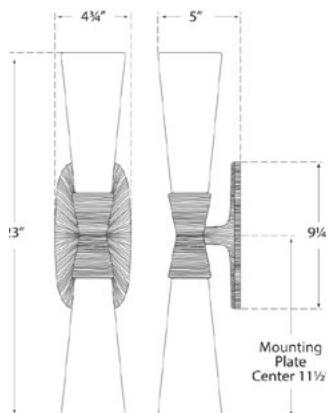
## WATTAGE

2 - 60 T



# UTOPIA LARGE DOUBLE BATH SCONCE

KW2048



### MATERIALS SHOWN

POLISHED NICKEL  
WITH WHITE GLASS

### AVAILABLE IN

GILD  
POLISHED NICKEL  
AGED IRON



### DIMENSIONS

WIDTH: 23"  
HEIGHT: 4.75"  
EXTENSION: 5"  
BACKPLATE: 4.75" X 9.25"

### SOCKET

2 - KEYLESS

### WATTAGE

2 - 60 T

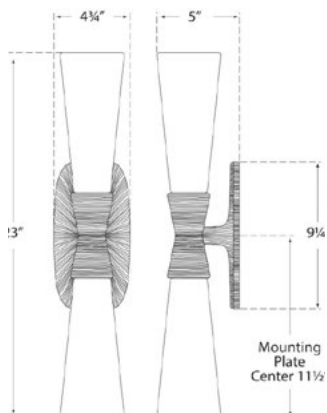


kelly wearstler



## UTOPIA LARGE DOUBLE BATH SCONCE

KW2048



### MATERIALS SHOWN

AGED IRON WITH  
WHITE GLASS

### AVAILABLE IN

GILD  
POLISHED NICKEL  
AGED IRON



### DIMENSIONS

WIDTH: 23"  
HEIGHT: 4.75"  
EXTENSION: 5"  
BACKPLATE: 4.75" X 9.25"

### SOCKET

2 - KEYLESS

### WATTAGE

2 - 60 T