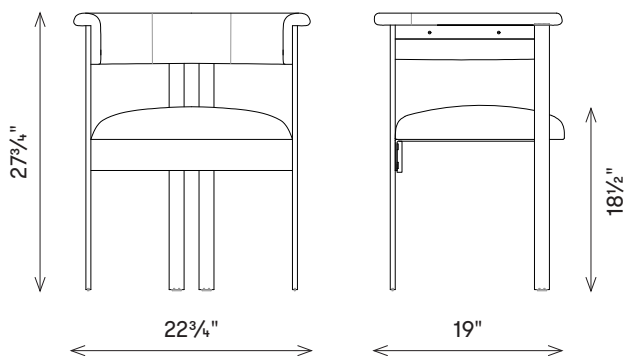




ELLIOTT CHAIR

FCD14001



MATERIALS SHOWN

Burnished Brass
 In Dame Straw (Dot) • W9331-29
 In Icon Ivory/Carmel (Stripe) • GWL3402-401

ALSO AVAILABLE IN

Oil-Rubbed Bronze
 See Materials PDF for leather colors

DIMENSIONS

Width: 22³/₄"
 Height: 27³/₄"
 Depth: 19"
 Seat Height: 18¹/₂"
 Weight: 50lbs/22.68kgs

FINISHES

