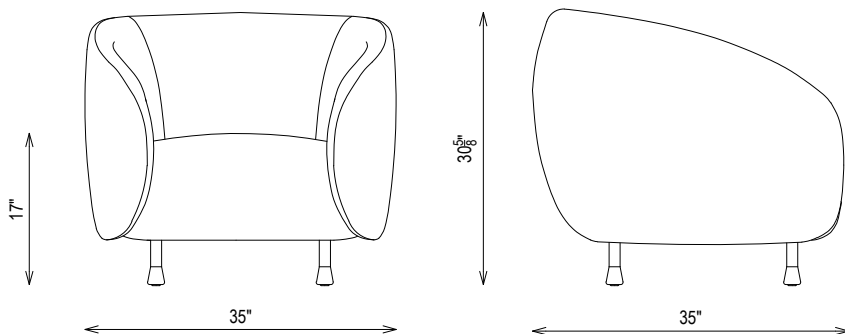




# LUCIEN CHAIR

EJV1546-35



## MATERIALS SHOWN

Burnished Brass  
In Chenile Black

## AVAILABLE IN

See Fabric PDF

## DIMENSIONS

Width: 35"  
Height: 30.625"  
Depth: 35"

## FINISHES

